

UV Knight - 365nm

Fixture Type _____



Specifications

UV Knight – 365nm Spot/ Flood Luminaire

- High-Power 18-watt 365nm LED emitter
- LED lifetime rated at 40,000 hours
- Proprietary silicone lens
- Adjustable lens barrel from narrow spot thru wide flood
- Aluminum Milled Body & Lens Barrel
- Cold forged aluminum passive heat sink
- Dual T-knobs for positive tilt lock
- 3' Head cable w/ 9-pin connector
- On board RDM thermal monitoring
- Multiple user programmable personalities including Full Output and Governor Mode
- Damp Rated – Not for direct water contact
- Luminaire can be remote mounted from DMX power supply up to 75' via optional cables
- Black anodize & electrostatic powder paint finish
- Yoke mounting via ½" thru hole
- Multiple accessories available including accessory holder, snoot & barndoors
- 3-Year limited warranty

Knight Single – Single head DMX power supply

- 25-Watt DMX-512A/ RDM Power Supply
- Utilizes THE BLACK TANK Patented Technology
- Compatible w/ Dark Knight, White Knight, Daylight Knight & Rainbow Knight (RGBA) luminaires
- Stand-alone functions and manual intensity settings
- Multiple user personalities accessible via RDM or push button LCD display
- 9-pin interconnect fixture input
- 5-pin XLR DMX-In & DMX-thru
- powerCON AC Input
- LCD Display w/ 4 push buttons for programming
- RDM Identification and thermal monitoring
- 6' powerCON cable w/ Edison connector for US/ bare end International. Other power connectors available
- Multi-Voltage Power Input 100vac-240vac 50/60Hz
- ETL & CE for Damp Location
- Triple-Head power supply to be available Q3 2021
- Mounting bracket w/ ½" thru hole and ½"-13 thread for mounting luminaire

UV Knight - 365nm UV

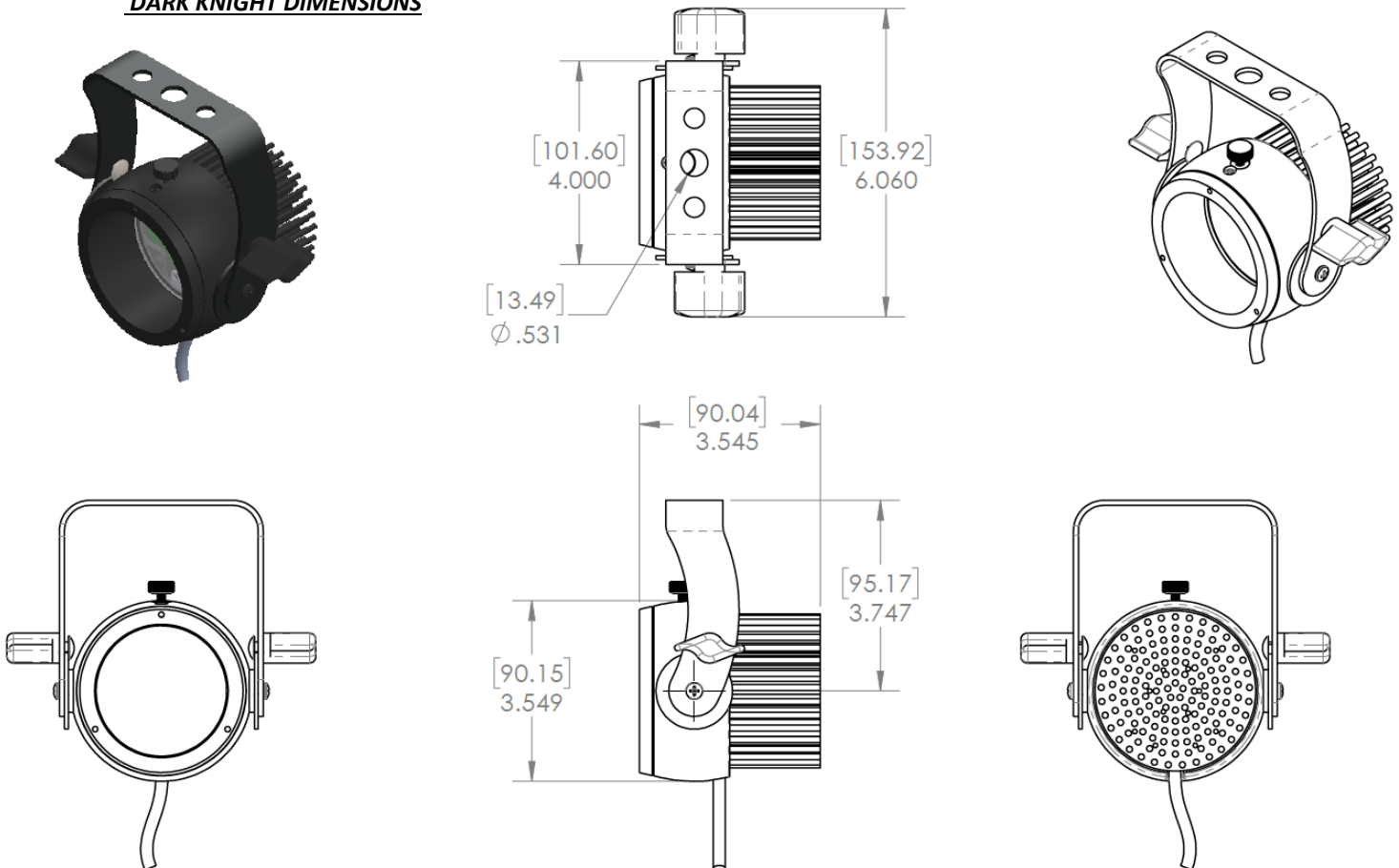
Fixture Type _____



PHOTOMETRY - UV KNIGHT 365NM - UV

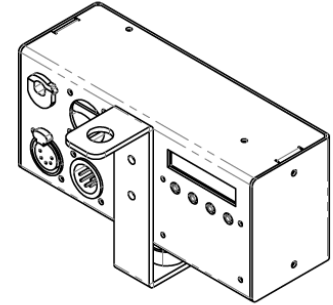
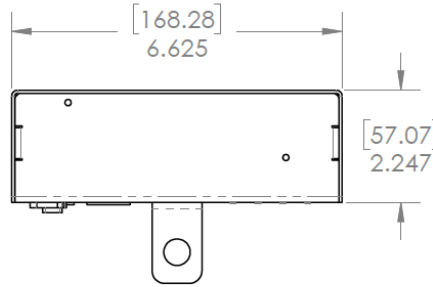
<u>NARROW SPOT FOCUS</u>					
FIELD ANGLE - 13.3 DEGREES			BEAM ANGLE - 7.4 DEGREES		
DISTANCE IN FEET	5'	10'	15'	20'	25'
CENTER PEAK INTENSITY(UW/CM2)	1709	427	190	107	68
BEAM DIA. (FT) @ 50% OF CENTER	0.7"	1.3"	2"	2.6"	3.3"
BEAM DIA. (FT) @ 10% OF CENTER	1.2"	2.3"	3.5"	4.7"	5.9"
<u>MAXIMUM FLOOD FOCUS</u>					
FIELD ANGLE - 69.2 DEGREES			BEAM ANGLE - 55.4 DEGREES		
DISTANCE IN FEET	5'	10'	15'	20'	25'
CENTER PEAK INTENSITY(UW/CM2)	33	8	4	2	1
BEAM DIA. (FT) @ 50% OF CENTER	5.2'	10.5'	15.7'	21'	26.2'
BEAM DIA. (FT) @ 10% OF CENTER	6.9'	13.8'	20.7'	27.6'	34.5'

DARK KNIGHT DIMENSIONS

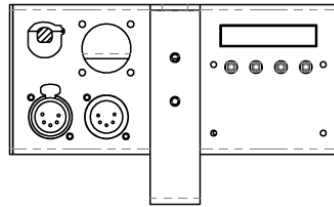
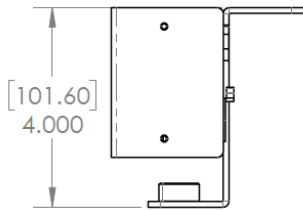


UV Knight - 365nm UV

Fixture Type _____



KNIGHT SERIES SINGLE DMX POWER SUPPLY DIMENSIONS



<u>Part Numbers</u>	<u>Description</u>
KLS-DK-2022	UV KNIGHT - 365NM UV HEAD W/ 3' CABLE & 9-PIN CONNECTOR
KLS-DMXPS1	SINGLE HEAD DMX/RDM POWER SUPPLY W/ 6' POWERCON CABLE 100-240VAC 50/60HZ
KLS-DMXPS3	TRIPLE HEAD DMX/RDM POWER SUPPLY W/ 6' POWERCON CABLE 100-240VAC 50/60HZ
KLS-KNIGHT-CFA	KNIGHT SERIES FRONT ACCESSORY HOLDER AND COLOR FRAME - BLACK
KLS.KNIGHT-BD	KNIGHT SERIES FOUR-LEAF BARNDOOR <u>REQUIRES PART NUMBER RHA-KNIGHT-CFA</u>
KLS-KNIGHT-SN	KNIGHT SERIES SNOOT/ TOPHAT ACCESSORY
KLS-KNIGHT-LSL	LINEAR SPREAD LENS - <u>REQUIRES PART NUMBER RHA-KNIGHT-CFA</u>
KLS-KNIGHT-BASE	FLOOR MOUNTING BASE - 6" DIAMETER X 1/2" W/ 3/8 MOUNTING BOLT
KLS-MEGA-CLAMP	C-CLAMP WITH 1/2" BOLT FOR USE WITH 1"-2" PIPE -
KLS-KNIGHT-PROJECTOR	KNIGHT SERIES PROJECTOR ACCESSORY W/ FRAMING SHUTTERS & 25-50 DEGREE ZOOM OPTICS. PAT- TERN HOLDER AND COLOR FRAME INCLUDED
KLS-2.2LENS	2.2X BEAM REDUCING HD LENS FOR KNIGHT SERIES LUMINAIRS <u>REQUIRES PART NUMBER RHA-KNIGHT-CFA</u>
KLS-KNIGHT-EXT10	10' - 9 PIN MALE TO 9 PIN FEMALE KNIGHT HEAD TO POWER SUPPLY EXTENSION CABLE
KLS-KNIGHT-EXT25	25' - 9 PIN MALE TO 9 PIN FEMALE KNIGHT HEAD TO POWER SUPPLY EXTENSION CABLE
KLS-KNIGHT-EXT50	50' - 9 PIN MALE TO 9 PIN FEMALE KNIGHT HEAD TO POWER SUPPLY EXTENSION CABLE