

Knight LED Projector

Fixture Type _____



Specifications

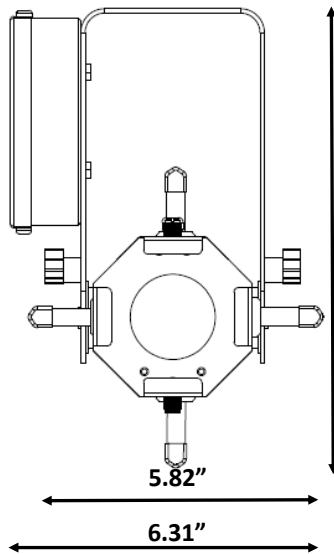
- High Power 3,000 Kelvin 80+ CRI LED Emitter
5,600 Kelvin 90+ CRI also available
- Lumen Output—3,500 Initial Lumens
- Power Draw—32 Watt
- LED Lifetime Rated at 50,000 Hours
- Tool Free Focal Range from 25° Thru 50°
- Accepts Glass or Steel Patterns
Size 37.5mm OD—28mm Image Area
- 4 x Framing Shutters
- Available in Black, White or Silver Powder Coat Finish
- Included Accessories - 18" Safety Cable & Color Frame
- Optional Accessories - Steel or Glass Pattern Holders, Top Hat/ Snoot and Clamps
- Track Adapter Options Available
- Front Accessory Holder Accepts 3-3/16" or 3-1/8" Accessories
- Accessory Latch - Captive and Tool Free
- Integral Multi-Voltage Electronic Driver 120-277VAC.
- Dimmable only at 120VAC Operation to 10% or Less - Dimmer Dependent
- Construction - Sheet Steel & Aluminum
- Weight: 5.5lbs/ 2.5kg



KNIGHT
LIGHTING

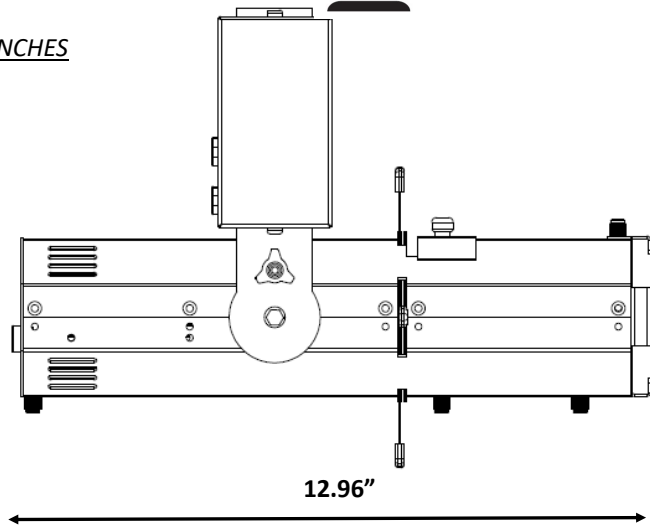
Knight LED Projector

Fixture Type _____



DIMENSIONS IN INCHES

9.43"



12.96"

KNIGHT PROJECTOR PHOTOMETRY - 3,000 KELVIN LUMINAIRE

<i>NARROW FOCUS</i>			<i>WIDE FOCUS</i>		
Projection Distance in Feet	Center Foot- Candle Reading	Beam Diameter in Feet	Projection Distance in Feet	Center Foot- Candle Reading	Beam Diameter in Feet
10'	120	4.33	10'	52	8
15'	53	6.5	15'	23	12
20'	30	8.7	20'	13	16
25'	19	10.8	25'	8.5	20

<i>Model Number</i>	<i>Description</i>
KLS-KNIGHT-LED-P3K-*	KNIGHT LED PROJECTOR 3,000K 80+CRI 120-277VAC INCLUDES 6' POWER CORD W/ MOLDED EDISON PLUG, SAFETY CABLE AND COLOR FRAME
KLS-KNIGHT-LED-P5K-*	KNIGHT LED PROJECTOR 5,600K 90+CRI 120-277VAC INCLUDES 6' POWER CORD W/ MOLDED EDISON PLUG, SAFETY CABLE AND COLOR FRAME * PAINT FINISH CODE - BK = Black WH = White SL = Silver
<i>Track Adapter Options</i>	<i>Add to the end of fixture Model Number to Specify Track Type Other Track Adapter Types Available. Please Inquiry</i>
ET1	EUTRAC SINGLE CIRCUIT TRACK ADAPTER
ET2	EUTRAC TWO CIRCUIT TRACK ADAPTER
N1	NORDIC ALUMINUM SINGLE CIRCUIT TRACK ADAPTER
N2	NORDIC ALUMINUM TWO CIRCUIT TRACK ADAPTER
2L	SINGLE CIRCUIT LIGHTOLIER STYLE TRACK ADAPTER
3H	SINGLE CIRCUIT HALO STYLE TRACK ADAPTER
<i>Accessories</i>	<i>Description</i>
KLS-KP-PHS.BK	PATTERN HOLDER FOR STEEL GOBO'S
KLS-KP-PHG-BK	PATTERN HOLDER FOR GLASS GOBO'S
KLS-KP.DN	DONUT ACCESSORY
KLS-KP-SN	TOP HAT/ SNOOT ACCESSORY
KLS-MEGA-CLAMP	BLACK CLAMP FOR 1" - 2" PIPE W/ 1/2" MOUNTING BOLT
KLS-MINI-BASE	FLOOR MOUNTING BASE - 6" DIAMETER X 1/2" W/ 3/8 MOUNTING BOLT
KLS-2.2LENS	HD 2.2X NARROW LENS ACCESSORY - MOUNTS IN FRONT ACCESSORY HOLDER