

Daylight Knight 5,600 Kelvin

Fixture Type _____



KNIGHT LIGHTING

Specifications

Daylight Knight – 5,600 Kelvin 90+ CRI Spot/ Flood Luminaire

- High-Power 20-watt LED emitter—5,600K—90CRI+
- LED lifetime rated at 50,000 hours
- Proprietary optics
- Adjustable lens barrel from narrow spot thru wide flood
- Aluminum Milled Body & Lens Barrel
- Cold forged aluminum passive heat sink
- Dual T-knobs for positive tilt lock
- 3' Head cable w/ 9-pin connector
- On board RDM thermal monitoring
- Multiple user programmable personalities
- Damp Rated – Not for direct water contact
- Luminaire can be remote mounted from DMX power supply up to 75' via optional cables
- Black anodize & electrostatic powder paint finish
- Yoke mounting via ½" thru hole
- Multiple accessories available including accessory holder, snoot & barndoors
- 3-Year limited warranty

Knight Single – Single head DMX power supply

- 25-Watt DMX-512A/ RDM Power Supply
- Utilizes THE BLACK TANK Patented Technology
- Compatible w/ Dark Knight, White Knight, Daylight Knight & Rainbow Knight (RGBA) luminaires
- Stand-alone functions and manual intensity settings
- Multiple user personalities accessible via RDM or push button LCD display
- 9-pin interconnect fixture input
- 5-pin XLR DMX-In & DMX-thru
- powerCON AC Input
- LCD Display w/ 4 push buttons for programming
- RDM Identification and thermal monitoring
- 6' powerCON cable w/ Edison connector for US/ bare end International. Other power connectors available
- Multi-Voltage Power Input 100vac-240vac 50/60Hz
- ETL & CE for Damp Location
- Triple-Head power supply to be available Q3 2021
- Mounting bracket w/ ½" thru hole and ½"-13 thread for mounting luminaire
- 3-Year limited warranty

Daylight Knight - 5,600 Kelvin

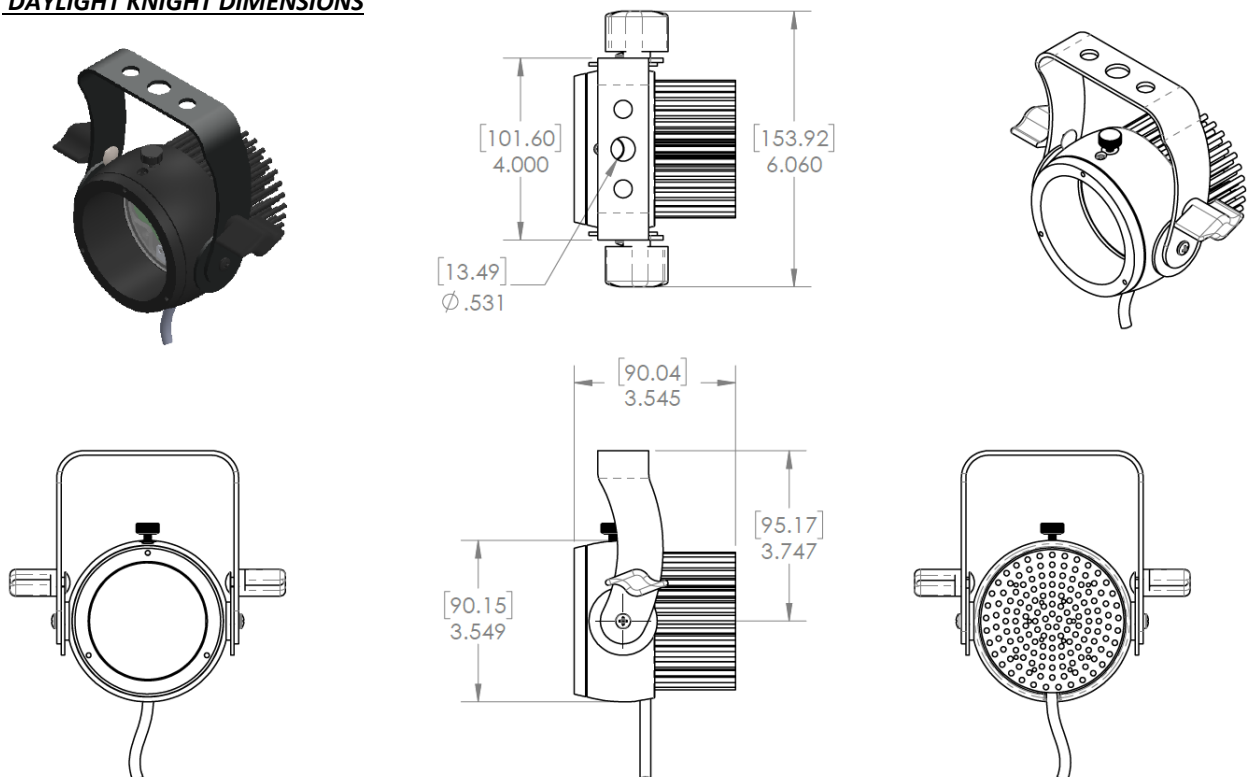
Fixture Type _____



PHOTOMETRY - DAYLIGHT KNIGHT 5,600 KELVIN

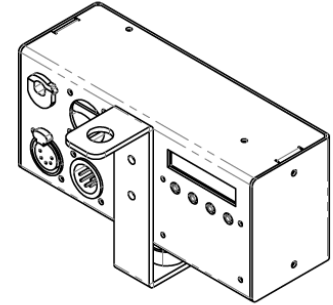
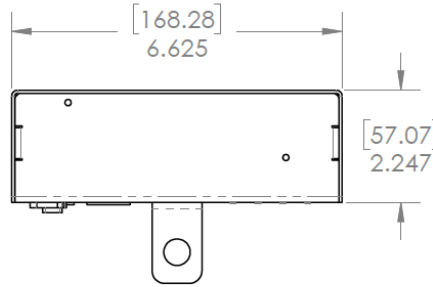
<i>NARROW SPOT FOCUS</i>					
FIELD ANGLE - 19 DEGREE			BEAM ANGLE - 11 DEGREES		
THROW DISTANCE (FT)	5	10	15	20	25
BEAM DIA. (FT)	1.6	3.33	5	6.6	8.33
CENTER ILLUMINANCE (FC)	824	206	92	51	34
THROW DISTANCE (M)	1.5	3	4.6	6.1	7.6
BEAM DIA. (M)	0.5	1	1.5	2	2.5
CENTER ILLUMINANCE (LUX)	8862	2218	988	553	358
<i>WIDE FLOOD FOCUS</i>					
FIELD ANGLE - 74 DEGREE			BEAM ANGLE - 60 DEGREES		
THROW DISTANCE (FT)	5	10	15	20	25
BEAM DIA. (FT)	8	16	24	32	40
CENTER ILLUMINANCE (FC)	49	13	5.4	3.5	2
THROW DISTANCE (M)	1.5	3.1	4.6	6.1	7.6
BEAM DIA. (M)	2.45	4.9	7.33	9.75	12
CENTER ILLUMINANCE (LUX)	523	136	59	34	22

DAYLIGHT KNIGHT DIMENSIONS

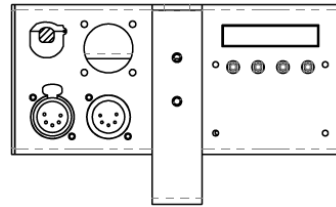
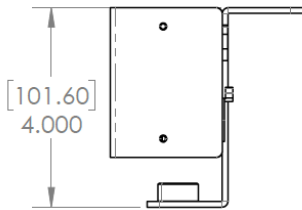


Daylight Knight - 5,600 Kelvin

Fixture Type _____



KNIGHT SERIES SINGLE DMX POWER SUPPLY DIMENSIONS



<u>Part Numbers</u>	<u>Description</u>
KLS-DLK-5K-2022	DAYLIGHT KNIGHT - 5,600 KELVIN 90+ CRI HEAD W/ 3' CABLE & 9-PIN CONNECTOR - w/o Power Supply
KLS-DMXPS1	SINGLE HEAD DMX/RDM POWER SUPPLY W/ 6' POWERCON CABLE 100-240VAC 50/60HZ
KLS-DMXPS3	TRIPLE HEAD DMX/RDM POWER SUPPLY W/ 6' POWERCON CABLE 100-240VAC 50/60HZ
KLS-KNIGHT-CFA	KNIGHT SERIES FRONT ACCESSORY HOLDER AND COLOR FRAME - BLACK
KLS.KNIGHT-BD	KNIGHT SERIES FOUR-LEAF BARNDOOR <u>REQUIRES PART NUMBER RHA-KNIGHT-CFA</u>
KLS-KNIGHT-SN	KNIGHT SERIES SNOOT/ TOPHAT ACCESSORY
KLS-KNIGHT-LSL	LINEAR SPREAD LENS - <u>REQUIRES PART NUMBER RHA-KNIGHT-CFA</u>
KLS-KNIGHT-BASE	FLOOR MOUNTING BASE - 6" DIAMETER X 1/2" W/ 3/8 MOUNTING BOLT
KLS-MEGA-CLAMP	C-CLAMP WITH 1/2" BOLT FOR USE WITH 1"-2" PIPE -
KLS-KNIGHT-PROJECTOR	KNIGHT SERIES PROJECTOR ACCESSORY W/ FRAMING SHUTTERS & 25-50 DEGREE ZOOM OPTICS. PAT- TERN HOLDER AND COLOR FRAME INCLUDED
KLS-2.2LENS	2.2X BEAM REDUCING HD LENS FOR KNIGHT SERIES LUMINAIRS <u>REQUIRES PART NUMBER RHA-KNIGHT-CFA</u>
KLS-KNIGHT-EXT10	10' - 9 PIN MALE TO 9 PIN FEMALE KNIGHT HEAD TO POWER SUPPLY EXTENSION CABLE
KLS-KNIGHT-EXT25	25' - 9 PIN MALE TO 9 PIN FEMALE KNIGHT HEAD TO POWER SUPPLY EXTENSION CABLE
KLS-KNIGHT-EXT50	50' - 9 PIN MALE TO 9 PIN FEMALE KNIGHT HEAD TO POWER SUPPLY EXTENSION CABLE