

# Rainbow Knight-W

Red, Green, Blue & 6500K White

Fixture Type \_\_\_\_\_



**KNIGHT**  
LIGHTING

## Specifications

- High-Power 25 watt Quad LED 4 x Color Emitter  
RED, GREEN, BLUE AND 6,500 KELVIN WHITE EMITTER
- LED lifetime rated at 50,000 hours
- Proprietary optics produces homogenized color output
- Adjustable lens barrel from narrow spot thru wide flood
- Aluminum Milled Body & Lens Barrel
- Cold forged aluminum passive heat sink
- Dual T-knobs for positive tilt lock
- 3' Head cable w/ 9-pin connector
- On board RDM thermal monitoring
- Multiple user programmable personalities including  
RGBW 8 & 16 bit, Color Temperature Tunable w/ Master  
Dimming and multiple dimming curves
- Standard and Ludicrous Output Settings
- Damp Rated – Not for direct water contact
- Luminaire can be remote mounted from DMX power  
supply up to 50' via optional cables
- Black anodize & electrostatic powder paint finish
- Yoke mounting via ½" thru hole
- Multiple accessories available including accessory holder,  
snoot & barndoors

### Knight Single – Single head DMX power supply

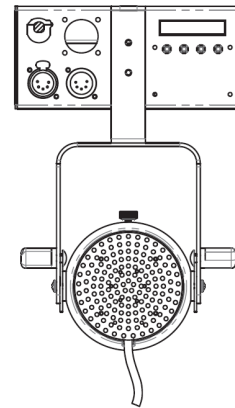
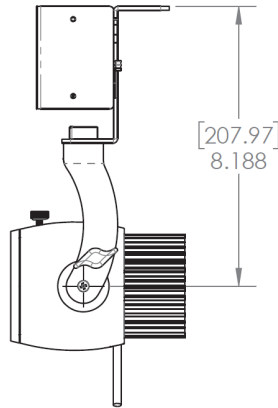
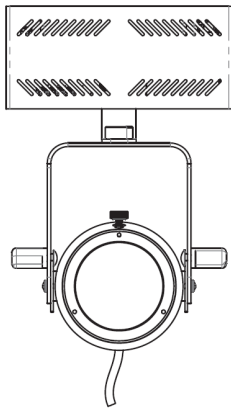
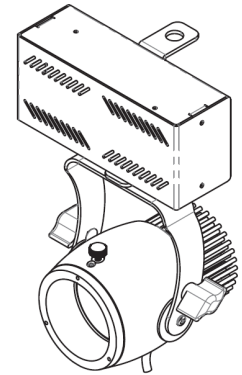
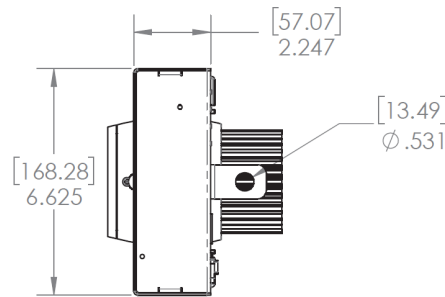
- 25-Watt DMX-512A/ RDM Power Supply
- Utilizes THE BLACK TANK Patented Technology
- Compatible w/ Dark Knight, White Knight, Daylight Knight  
& Rainbow Knight (RGBA & RGBW) luminaires
- Stand-alone functions and manual intensity settings
- Multiple user personalities accessible via RDM or push  
button LCD display
- 9-pin interconnect fixture input
- 5-pin XLR DMX-In & DMX-thru
- powerCON AC Input
- LCD Display w/ 4 push buttons for programming
- RDM Identification and thermal monitoring
- 6' powerCON cable w/ Edison connector for US/ bare end  
International. Other power connectors available
- Multi-Voltage Power Input 100vac-240vac 50/60Hz
- ETL & CE Pending for Damp Location
- Triple-Head power supply to be available Q3 2021
- Mounting bracket w/ ½" thru hole and ½"-13 thread for  
mounting luminaire
- 3-Year limited warranty

# Rainbow Knight W RGBW

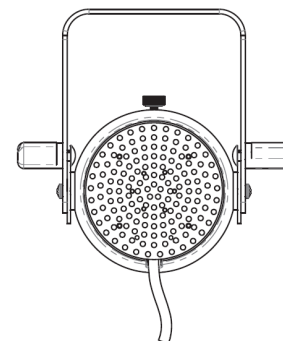
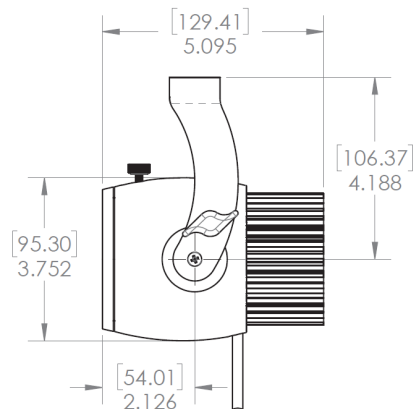
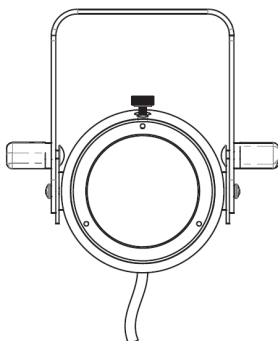
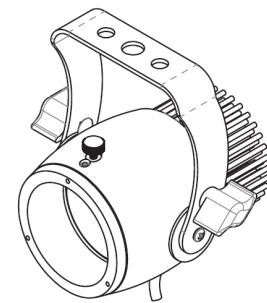
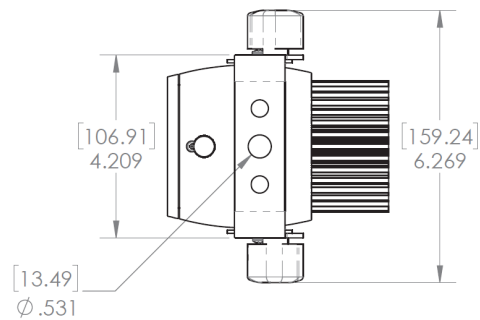
Fixture Type \_\_\_\_\_



**RAINBOW KNIGHT PHOTOMETRY—PENDING**



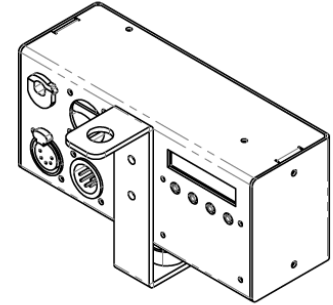
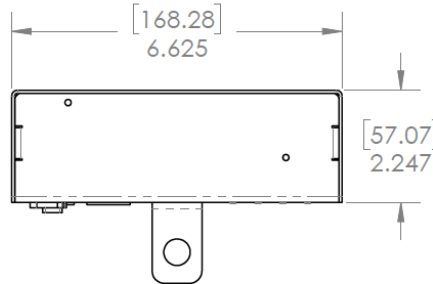
**RAINBOW KNIGHT DIMENSIONS**



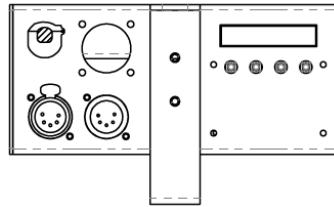
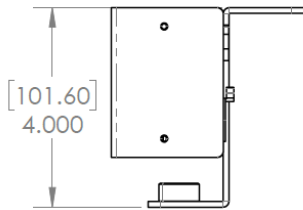
# Rainbow Knight W -RGBW



Fixture Type \_\_\_\_\_



**KNIGHT SERIES SINGLE DMX POWER SUPPLY DIMENSIONS**



<b><u>Part Numbers</u></b>	<b><u>Description</u></b>
KLS-RK-RGBW-2022	RAINBOW KNIGHT- RED, GREEN, BLUE & 6,500 KELVIN WHITE HEAD W/ 3' CABLE & 9-PIN CONNECTOR w/o Power Supply
KLS-DMXPS1	SINGLE HEAD DMX/RDM POWER SUPPLY W/ 6' POWERCON CABLE 100-240VAC 50/60HZ
KLS-DMXPS3	TRIPLE HEAD DMX/RDM POWER SUPPLY W/ 6' POWERCON CABLE 100-240VAC 50/60HZ
KLS-KNIGHT-CFA	KNIGHT SERIES FRONT ACCESSORY HOLDER AND COLOR FRAME - BLACK
KLS.KNIGHT-BD	KNIGHT SERIES FOUR-LEAF BARNDOOR <u>REQUIRES PART NUMBER RHA-KNIGHT-CFA</u>
KLS-KNIGHT-SN	KNIGHT SERIES SNOOT/ TOPHAT ACCESSORY
KLS-KNIGHT-LSL	LINEAR SPREAD LENS - <u>REQUIRES PART NUMBER RHA-KNIGHT-CFA</u>
KLS-KNIGHT-BASE	FLOOR MOUNTING BASE - 6" DIAMETER X 1/2" W/ 3/8 MOUNTING BOLT
KLS-MEGA-CLAMP	C-CLAMP WITH 1/2" BOLT FOR USE WITH 1"-2" PIPE -
KLS-KNIGHT-PROJECTOR	KNIGHT SERIES PROJECTOR ACCESSORY W/ FRAMING SHUTTERS & 25-50 DEGREE ZOOM OPTICS PATTERN HOLDER AND COLOR FRAME INCLUDED
KLS-2.2LENS	2.2X BEAM REDUCING HD LENS FOR KNIGHT SERIES LUMINAIRS <u>REQUIRES PART NUMBER RHA-KNIGHT-CFA</u>
KLS-KNIGHT-EXT10	10' - 9 PIN MALE TO 9 PIN FEMALE KNIGHT HEAD TO POWER SUPPLY EXTENSION CABLE
KLS-KNIGHT-EXT25	25' - 9 PIN MALE TO 9 PIN FEMALE KNIGHT HEAD TO POWER SUPPLY EXTENSION CABLE
KLS-KNIGHT-EXT50	50' - 9 PIN MALE TO 9 PIN FEMALE KNIGHT HEAD TO POWER SUPPLY EXTENSION CABLE